

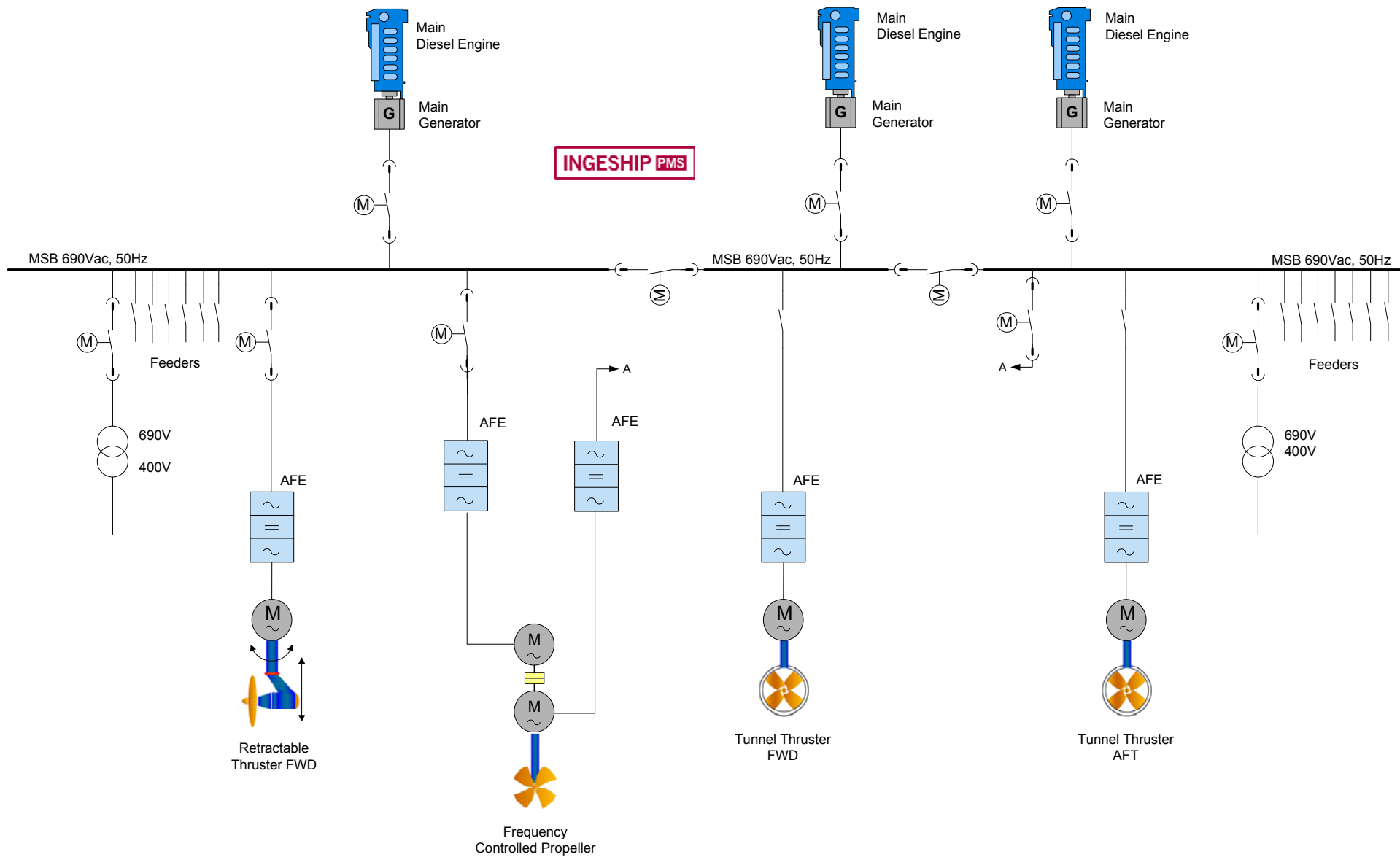
Multidrive Propulsion System



Example of typical configuration

marine@ingetteam.com

Rev_



Tandem Silence Propulsion System



Example of typical configuration

marine@ingetteam.com

Rev_